

# Elaflex Rubber Expansion Joints

## Electrically conductive flexible connections for pressure or vacuum

In fluid handling systems it is often necessary to make allowance for pipework expansion, vibration and slight misalignment. A multi-purpose solution to many of these problems is the Elaflex rubber expansion joint.

It compensates for stresses arising from these thermal variations or misalignment, substantially dampening vibration from associated plant such as pumps, compressors, etc. preventing the transmission of objectionable noises.

Rubber expansion joints have been proved in service for many years and are approved by a number of Authorities.

The TW YELLOW range is commonly used on aircraft refuelling units

### Technical Specifications

<b>Recommended for:</b>	Hydro-carbon products with less than 50% aromatics.
<b>Tube:</b>	Seamless Nitrile NBR., oil resistant for temperatures up to + 100°C.
<b>Cover:</b>	Neoprene, electrical-conductive, oil resistant and weatherproof.
<b>Flanges:</b>	Forged aluminium.
<b>Electrical Resistance:</b>	Between 1k Ohms and 1Meg Ohms.
<b>Max. Working Pressure:</b>	10 Bar.
<b>Test Pressure:</b>	16 Bar

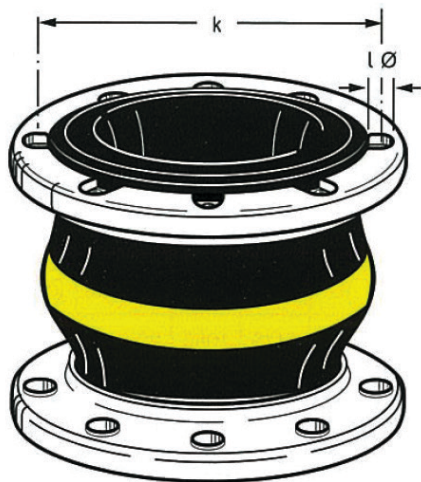


# Elaflex Rubber Expansion Joints

## Ordering Information

ERV-G Expansion Joints								
Length		Recommended Installation Length		Allowable Range of Movement in Service				
BL	Tolerance	EL minimum	EL maximum	L minimum	L maximum	max. lateral offset	DN mm	Angular rotation
130 mm	+5 mm -0 mm	120 mm	135 mm	100 mm	160 mm	±30 mm	25 - 50	±30°
150 mm		140 mm	155 mm	115 mm	180 mm	±30 mm	65 - 80	±25°
160 mm		145 mm	170 mm	125 mm	195 mm	±35 mm	100 - 150	±20°
175 mm		160 mm	185 mm	135 mm	210 mm	±35 mm	200 - 300	±10°
200 mm		180 mm	210 mm	160 mm	235 mm	±35 mm	350 - 600	±8°
250 mm	±6 mm	230 mm	260 mm	210 mm	285 mm	±35 mm	700 - 800	±6°
300 mm	±10 mm	280 mm	310 mm	260 mm	340 mm	±40 mm	900 - 1000	±5°

with 8-hole "TW" flanges DIN 28 461 of carbon steel, zinc plated



BL = 130 mm

Part No	DN mm	k mm	l Ø mm
ERV50	50	130	11,5
ERV65	65	130	11,5
ERV80	80	130	11,5
ERV100	100	150	14

PN 10