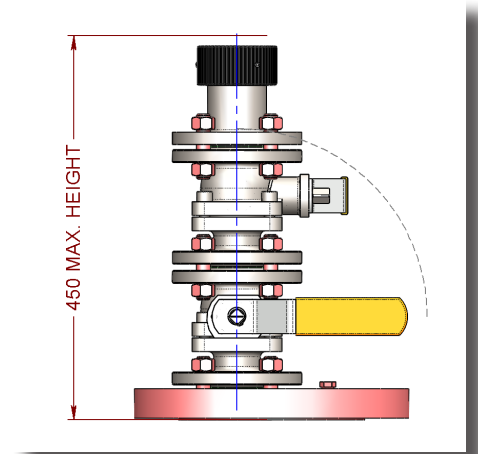


# HLV150-300-xx - High Low Valve for hydrant pits

It is a requirement for Aviation fuel hydrant pipelines to include dedicated low drains and high point vents. JIG2 states that low point drains are flushed at a high velocity once a week to ensure removal of water and sediment.

The Liquip HLV150-300-xx sample vent and drain model is designed to be installed on the riser flange inside the hydrant pit box. This vent comprises a stainless steel 6 inch ASME B16.5 class 300LB raised face base flange and is fitted with two manually operated 1½" (40mm) stainless steel fire safe ball valves.

At the top of the assembly there is a flanged stainless-steel tank unit which features a pressure relief valve in the poppet which is set at 1,600 kPa. This tank unit provides a leakproof connection when coupled to the mating hose unit.



HLV150-300-40 model shown

## Key Features

- Compact and robust stainless steel construction.
- Twin ball valve design for safer operation.
- Ball valves are fire safe for extra security.
- Ball valves have an allowance to lock them out.
- 2" stainless steel tank unit (adaptor).
- SS316/316L base flange is 6" 300# to allow installation into standard hydrant pit boxes e.g. Liquip's HPA series.
- Vent height fits in Liquip's HPA series hydrant pit boxes.
- Dust cap supplied as standard.
- ¼" NPT threaded hole on sump flange for optional bleed valve. (This is blanked as standard).
- Can be supplied to suit DN40 or DN20 drain pipe at ordering stage.
- SS fasteners and Klinger 1½" gaskets fitted in assembly as standard.
- Australian designed and globally supported.

## Ordering Information

- **HLV150-300-40\***: HIGH POINT VENT / LOW POINT DRAIN SS316L HYDRANT, SUIT DN40 DRAIN PIPE (EXCLUDES BLEED VALVE TO BE ORDERED SEPARATELY)
- **HLV150-300-25\***: HIGH POINT VENT / LOW POINT DRAIN SS316L HYDRANT, SUIT DN25 DRAIN PIPE (EXCLUDES BLEED VALVE TO BE ORDERED SEPARATELY)
- **143AA1M7N1-xx**: PRESSURE RELIEF SOLD SEPARATELY

\*When using this assembly for low point sampling, an extension pipe must be welded into the base of the flange and must reach into the sump. This is not included but the base flange is bored to 50mm diameter into which an extension pipe can be socket welded.

- \*6" 300# gasket and fasteners to be sourced locally. Contact Liquip for further information.

## Technical Information

<b>Specification</b>	Base flange 6" ASME B15.5 Class 300# raised face, type 316/316L stainless steel.
<b>Ball Valves</b>	1½" (40mm) stainless steel CF3M floating full bore ball valve, fire safe to API607. Teflon seals, flanged PN 16 to EN 1092-1.
<b>Tank Unit</b>	2" tank unit to NATO STANAG 3756, stainless steel, flanged DN40 PN 16. Poppet includes a relief valve set at 1,600 kPa.
<b>Gaskets</b>	According to EN1514-1, non-metallic Klinger C4430 flat gaskets, inside bolt circle DN40 PN 16.
<b>Design Temperature</b>	-20°C to +80°C.
<b>Working Pressure</b>	16 BAR (1,600 kPa).
<b>Assembled dimensions</b>	approx 339mm x 339mm x 450mm high.
<b>Weight</b>	approx 50kg.
<b>Inspection/ Maintenance</b>	As per site maintenance schedule.

Mounting to hydrant pit base flange - 6" ASME 300#.

### Installation

SS B8M Studs and Nuts included.

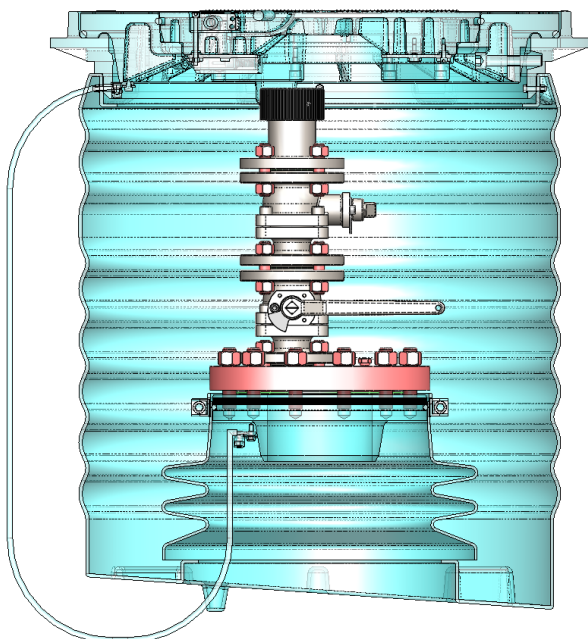
A 6" ASME 300# gasket is required, which gets installed between the hydrant pit sump and hydrant flange connection.

### Operation

During operation the bottom valve is typically installed as always open and for maintenance it is closed.

The HLV150-300-xx is typically controlled using the top valve.

**\*\*Warning\*\*** the upper valve must always be closed when coupling or uncoupling the tank unit. Please refer to site procedures for additional guidance.

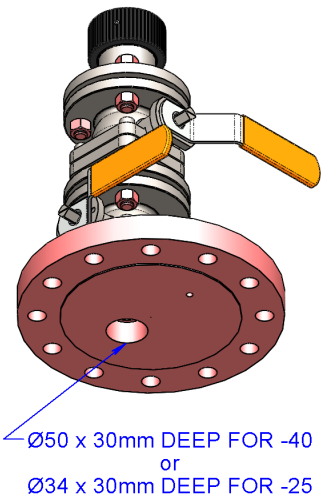
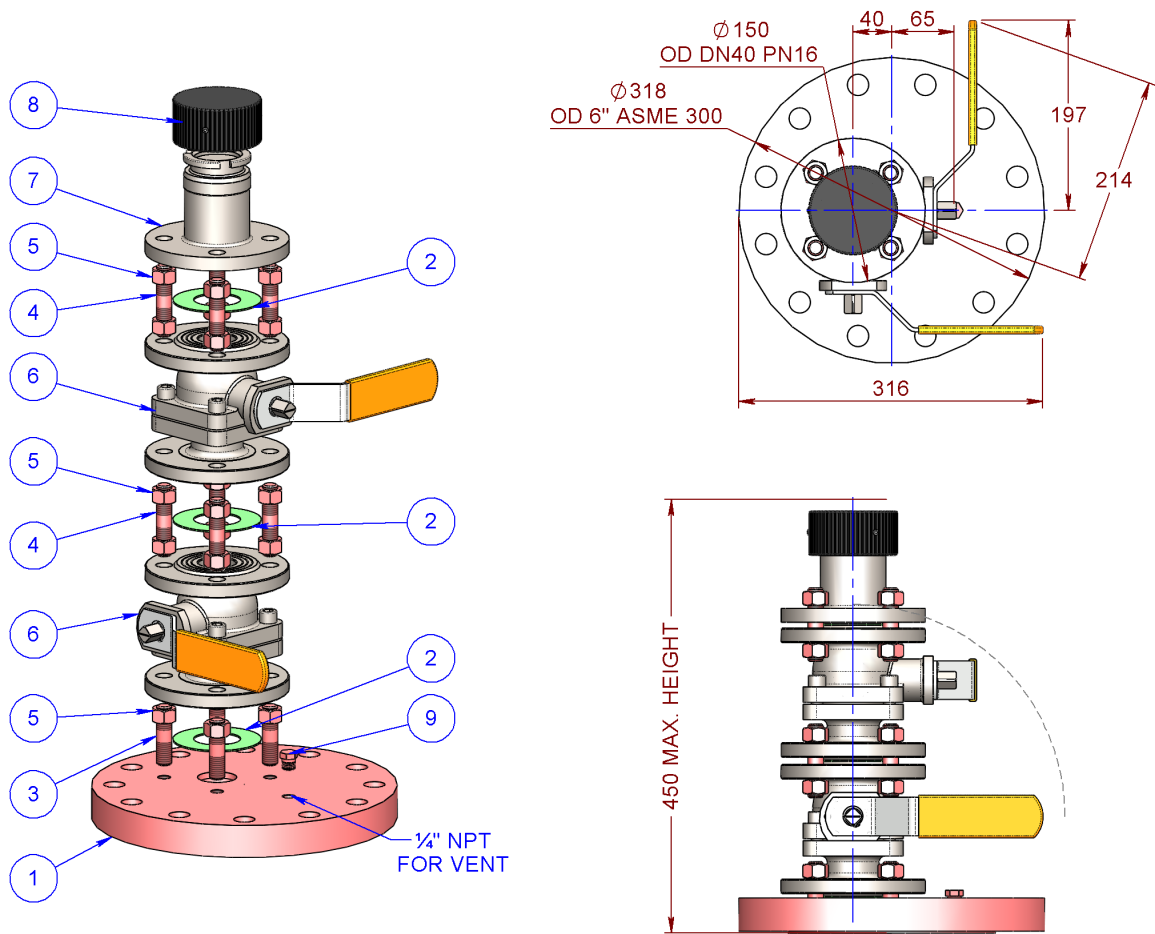


## Associated Equipment

- Liquip HPA250 series HYDRANT PITS 700mm DIA.
- Liquip HPA150 series HYDRANT PITS 570mm DIA.


HLV150-300-40 shown installed in HPA250 hydrant pit

# HLV150-300 HIGH POINT VENT & LOW POINT DRAIN



ITEM	PART No	DESCRIPTION	HLV150-300-40	HLV150-300-25	MATERIAL
1	HLV150-300-40-1	MACHINED FLANGE FOR SUMP VENT	1	-	ST STEEL
	HLV150-300-25-1	MACHINED FLANGE FOR SUMP VENT	-	1	ST STEEL
2	7631	GASKET 1½" PN16/20	3	3	KLINGERSIL
3	5247	STUD HI-TEMP	4	4	ST STEEL
4	5248	STUD HI-TEMP	8	8	ST STEEL
5	4098	NUT HEX	20	20	ST STEEL
6	58108	VALVE BALL DN40 PN16	2	2	ST STEEL
7	E227A4401EP	TANK UNIT STANAG 3756 w/ PR VALVE	1	1	ST STEEL
8	C200E2202	DUST CAP FOR TANK UNIT	1	1	ACETAL
9	PSTP08	PLUG HEX HEAD	1	1	ST STEEL

METERS - VALVES - VENTS - MANHOLES - HOSEREELS - OVERFILL PROTECTION - LOADING ARMS - ELECTRONIC DIPSTICKS

**LIQUIP**  **LIQUIP INTERNATIONAL PTY LTD**  
 148B NEWTON RD, WETHERILL PARK, SYDNEY N.S.W. AUSTRALIA 2164  
 Phone: +61 2 9725-9000 Web: [www.liquip.com](http://www.liquip.com)

**X550320**  
 Sheet 1 of 1  
 Issue: B