

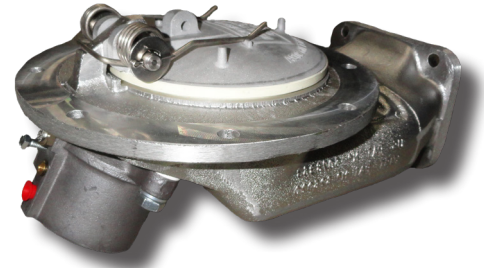
SLV5-AROC Chemical Air Operated Emergency Valve

The Liquip SLV5-AROC Chemical Trim (FFKM) Valve leads the industry with its low profile, low splash and vortex free design enabling faster tanker unloading than traditional mushroom poppet valves. It is used globally by road tankers and has become a benchmark for the industry.

FFKM is one of the most chemically resistant materials available and is suitable for even some of the harshest chemical compounds. It is commonly used with aggressive, corrosive and reactive chemicals.

The SLV5-AROC is easy to maintain because of its simplicity and low profile, this valve also reduces static created during flow by reducing splash and vortex.

The valve is operated with an externally mounted pneumatic actuator, which lifts the hinged poppet (which also acts as a splash deflector).



SLV5-AROC Footvalve

Key Features

- Incorporates the latest technical advancements to ensure fast and safe loading and discharge of road tankers.
- The valve is installed underneath the compartment floor and controls the flow of product from each compartment individually.
- The 125mm dia poppet has a concave design which operates as a deflector reducing splash, surge and static build up during loading and similarly during discharge.
- Hinged poppet design gives minimum height, so valve requires very little clearance to drop out for servicing.
- Emergency jacking screw in the air ram allows drainage if air is unavailable.
- Can be used with top operator.
- FFKM seals can be distinguished by the white colour.

Ordering Information

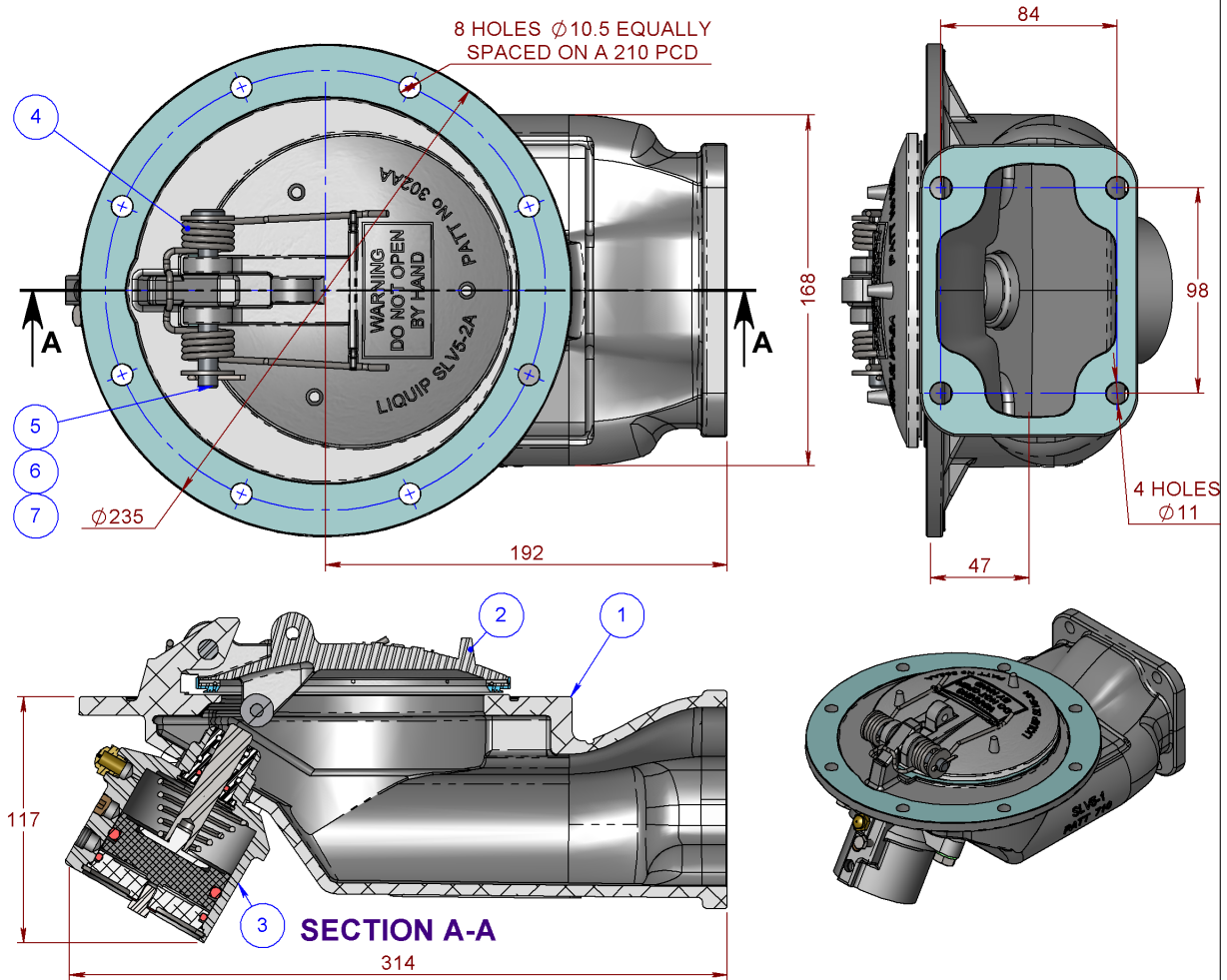
SLV5-AROC: Internal Valve Chemical version FFKM seals c/w ARO100C air ram.

Specifications

Chemical Compatibility	FFKM (Perfluoroelastomer) - Contact Liquip for product compatibility
Periodic Service	No routine maintenance required. Check sealing of valve as required by authorities.
Dismantle	Air operator assembly is easily removable & replaceable, being a self-contained externally mounted assembly.
Technical Data	Nominal Ø100mm flow area except poppet is Ø125 bore for minimum pressure drop. Needs a minimum of 350kPa of air pressure, consumption 1.0L free air per stroke.
Associated Equipment	Cable operated – Part No. SLV5CO; Standard Viton Trim SLV5-ARO
Weight	3.0 kg
Mounting	Bolted to sump or tank flange at the bottom of tank 8 holes Ø9.5 on a 210 PCD. Outlet adaptor from rectangular to round is available in aluminium or steel.
Materials of Construction	Aluminium body. Stainless steel main spindle. Chemical Trim, FFKM main seal bonded to aluminium poppet. Aluminium air ram body with FFKM seals, Teflon bush and gasket.

Overall dimensions shown on the drawing overleaf.

SLV5-ARO EMERGENCY VALVE



ITEM	PART No	DESCRIPTION	SLV5-ARO	SLV5-AROVG	SLV5-AROC	SLV5-AROA VI	MATERIAL
1	SLV5-1	FOOTVALVE ELBOW BODY SLV5-1	1	1	1	1	ALUMINIUM
2	SLV5-2AS	LID & ROLLER ASSY	1	-	-	1	ALUM / FKM
	SLV5-2ASVG	LID & ROLLER ASSY	-	1	-	-	ALUM / FKM
3	SLV5-2ASK	LID & ROLLER ASSY - CHEMICAL	-	-	1	-	ALUM / FFKM
	ARO100	AIR RAM FOR FOOT VALVES (STD)	1	-	-	1	ALUMINIUM
	ARO100VG	AIR RAM FOR FOOT VALVES (GFLT)	-	1	-	-	ALUMINIUM
4	ARO100C	AIR RAM FOR FOOT VALVES (CHEM)	-	-	1	-	ALUMINIUM
	0323	SPRING DOUBLE TORSION	1	1	-	-	Z/P STEEL
5	6154	SPRING DOUBLE TORSION	-	-	1	1	ST STEEL
6	SLV5-8	PIN PIVOT OPERATING	1	1	1	1	ST STEEL
7	0102	WASHER FLAT	2	2	-	-	Z/P STEEL
	0812	WASHER FLAT LARGE	-	-	2	2	ST STEEL
7	0764	SPLIT PIN	1	1	1	1	ST STEEL

METERS - VALVES - VENTS - MANHOLES - HOSEREELS - OVERFILL PROTECTION - LOADING ARMS - ELECTRONIC DIPSTICKS



LIQUIP INTERNATIONAL PTY LTD

13 HUME ROAD SMITHFIELD SYDNEY N.S.W. AUSTRALIA 2164

Phone: +61 2 9725-9000 Web: www.liquip.com

X1102015

Sheet 1 of 1
Issue: C