

UG101 Ullage Gauge

The Liquip Ullage Gauge (UG101) can be mounted onto any Liquip manhole cover.

Once fitted and the compartment calibrated, it can be securely locked and sealed into position at a safe fill level, allowing for visual verification of the product in the compartment.

Ordering Information

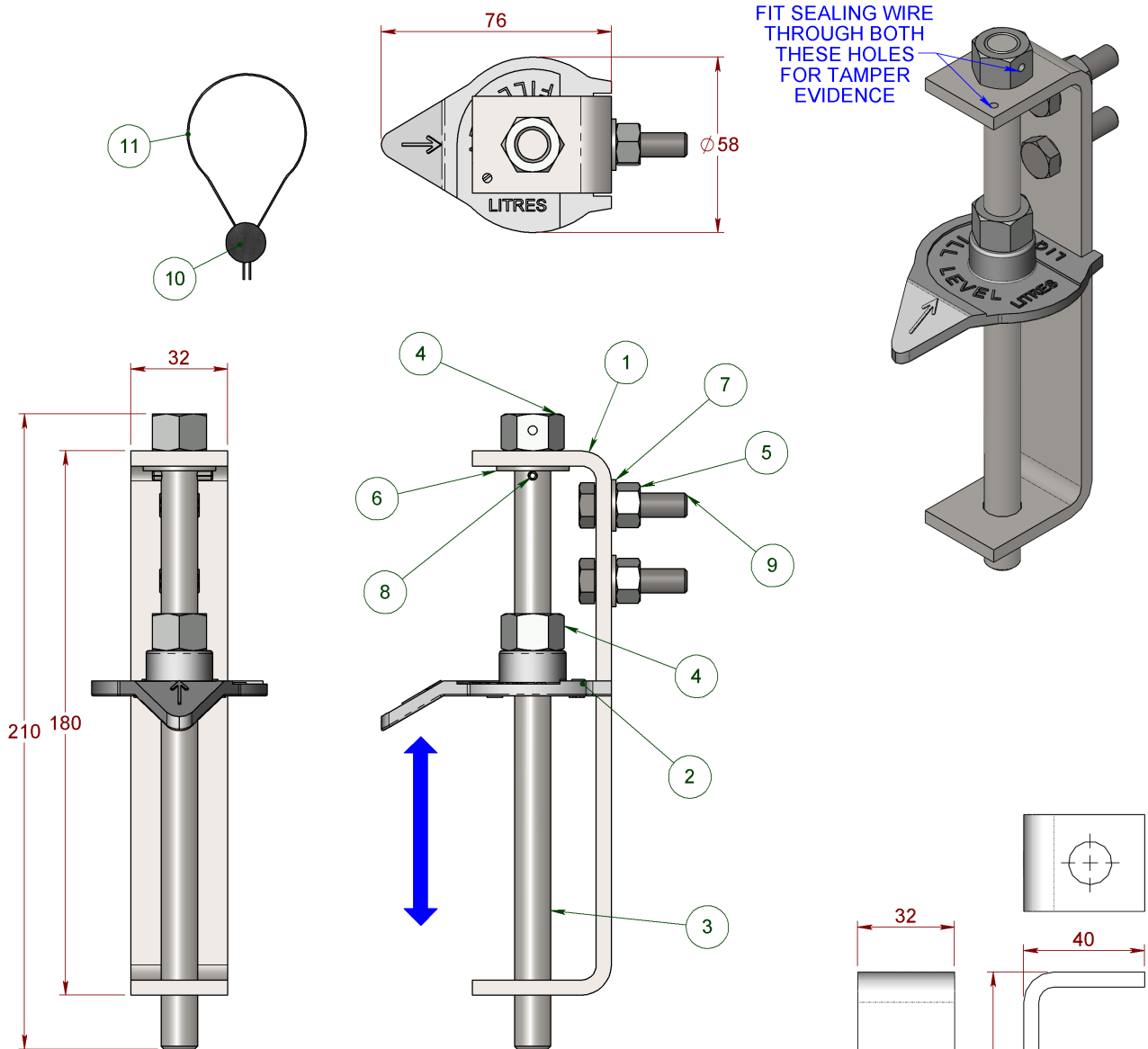
UG101 Ullage Gauge

Associated Equipment

All Liquip Manholes/Hatches



UG101 Ullage Gauge



FIT SEALING WIRE THROUGH BOTH THESE HOLES FOR TAMPER EVIDENCE

70652 MOUNTING BRACKET (OPTIONAL)

ITEM NO.	PART NUMBER	DESCRIPTION	QTY	MATERIAL
11	2190	WIRE SEALING	0.4	ST STEEL
10	2094	SEAL LEAD	1	LEAD
9	4965	SETSCREW METRIC	2	Z/P STEEL
8	2645	SPRING (ROLL) PIN	1	Z/P STEEL
7	6667	WASHER FLAT	2	Z/P STEEL
6	5266	WASHER FLAT	1	Z/P STEEL
5	6666	NUT METRIC	2	Z/P STEEL
4	4971	NUT METRIC	2	Z/P STEEL
3	71321	PRECISION ALLTHREAD ROD	1	STEEL
2	UG101-1	LEVEL INDICATOR	1	ALUMINIUM
1	UG101-3	BRACKET	1	STEEL

METERS - VALVES - VENTS - MANHOLES - HOSEREELS - OVERFILL PROTECTION - LOADING ARMS - ELECTRONIC DIPSTICKS



LIQUIP INTERNATIONAL PTY LTD

13 HUME ROAD SMITHFIELD SYDNEY N.S.W. AUSTRALIA 2164
Phone: +61 2 9725-9000 Fax: +61 2 9725-1252 Web: www.liquip.com

X1200003

Sheet 1 of 1
Issue: B