

# ARO100 Air Ram Operator

A 60mm piston type air operated ram that can be used in place of the standard diaphragm air ram used on Liquip foot valves.

## Key Features

- The plunger is pushed forward by a piston when air is supplied to the air inlet.
- The air in the cylinder is expelled through the exhaust port.
- The air ram assembly also has a sequential port that can be connected to other air rams in series.
- A jacking screw is provided to allow manual opening of the valve in the event of air pressure loss (note that this does not fully open the valve).



## Ordering Information

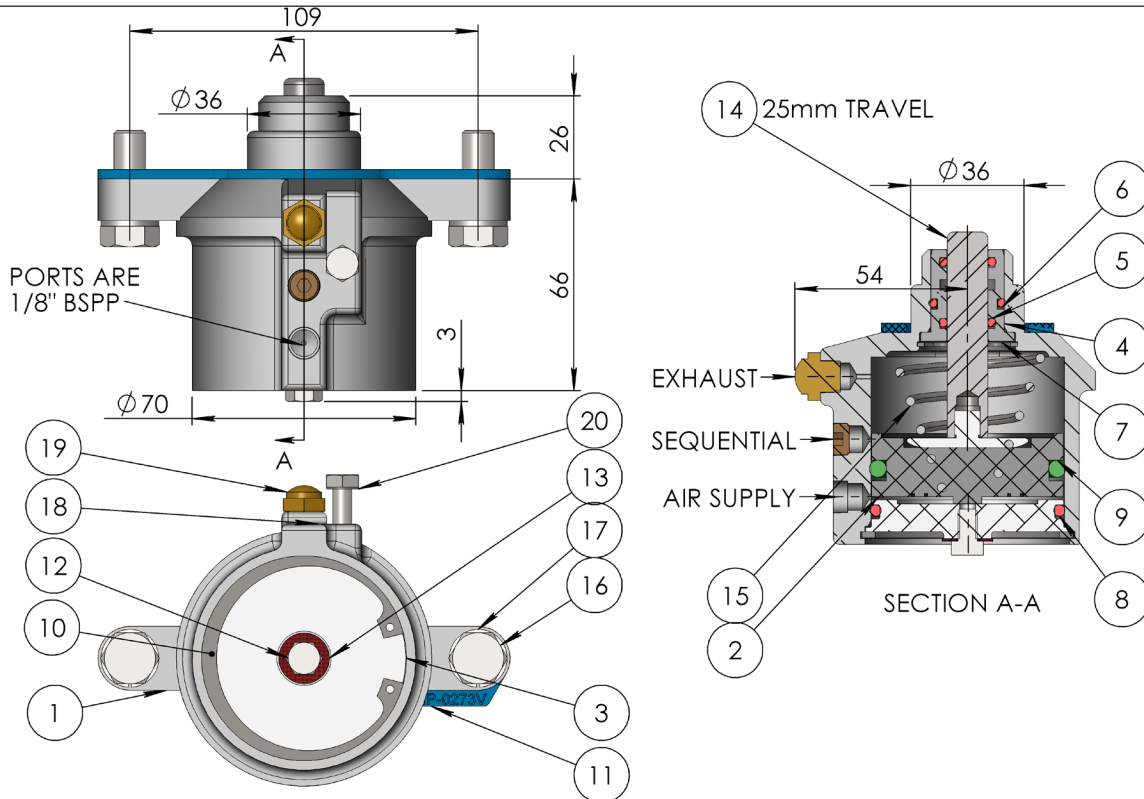
**ARO100** Air Ram for SLV5 Series Footvalves / Internal Valves

## Specifications

<b>Technical Data</b>	<ul style="list-style-type: none"> <li>• 60mm bore</li> <li>• Needs a minimum of 350kPa of air pressure, to open the foot valve fully</li> </ul>
<b>Periodic Service</b>	No routine maintenance required
<b>Dismantle</b>	Air ram operator assembly is easily removable & replaceable, being a self-contained externally mounted assembly
<b>Associated Equipment</b>	SLV5 foot valve
<b>Weight</b>	0.65 kg
<b>Mounting</b>	Bolted to SLV5 body using M10 screws and spring washers with a sealing gasket
<b>Materials of Construction</b>	<ul style="list-style-type: none"> <li>• Aluminium body</li> <li>• Stainless steel plunger</li> <li>• Viton seals and gasket</li> <li>• Acetal piston</li> </ul>



# ARO100



ITEM	PART NUMBER	DESCRIPTION	DESCRIPTION (CONT')	ARO100/QTY.	MATERIAL
1	ARO100-1	AIR RAM CYLINDER BODY		1	ALUMINIUM
2	ARO100-2	PISTON	FOR AIR RAM ASSY	1	ACETAL
3	ARO100-3	CAP END AIR RAM	FOR ARO100	1	ALUMINIUM
4	ARO100-4	AIR RAM SHAFT BUSH	FOR FOOT VALVE	1	ACETAL
5	0244	O-RING	BS112	2	VITON A
6	0278	O-RING	BS116	1	VITON A
7	4546	CIRCLIP INTERNAL	M30 - D1300-0300	1	Z/P STEEL
8	0137	O-RING	BS227	1	VITON A
9	218	O-RING	BS329	1	VITON A
10	5848	CIRCLIP INTERNAL	M64 - D1300-0640	1	Z/P STEEL
11	0273V	GASKET FOR AIR RAMS		1	VITON A
12	6523	SETSCREW METRIC	M6 x 10 HX	1	Z/P STEEL
13	0889	WASHER FIBRE	1/4"	1	RED FIBRE
14	SLV5-5	OPERATING PLUNGER	FOR AIR OPERATED VALVES	1	ST STEEL
15	6126	SPRING COMPRESSION	TAPERED	1	ST STEEL
16	4947	SETSCREW METRIC	M10 x 30 HX	2	Z/P STEEL
17	5261	WASHER SPRING	M10 ASA MED	2	Z/P STEEL
18	3246	PLUG TAPERED	1/8" BSP ALLEN HEAD	1	BRASS
19	2280	SILENCER	1/8" BSP	1	BRASS
20	4920	SETSCREW METRIC	M6 x 20 HX	1	Z/P STEEL

METERS - VALVES - VENTS - MANHOLES - HOSEREELS - OVERFILL PROTECTION - LOADING ARMS - ELECTRONIC DIPSTICKS

**LIQUIP**

PART OF OPW A DOVER COMPANY  
 Email: [liquip@liquip.com](mailto:liquip@liquip.com)  
 Phone: +612 9725 9000  
 Fax: +612 9725 1252

**LIQUIP**  
 P.O. Box 7049  
 Wetherill Park BC, 2164  
 Sydney NSW Australia

**DISTRIBUTORS**  
 See website for Liquip branches  
 and Distributors  
[www.liquip.com](http://www.liquip.com)

**X200300**

Issue: L