

ARO100C Chemical Air Ram Operator

A 60mm piston type air operated ram that can be used in place of the standard diaphragm air ram used on Liquip foot valves.

Key Features

- The plunger is pushed forward by a piston when air is supplied to the air inlet.
- The air in the cylinder is expelled through the exhaust port.
- The air ram assembly also has a sequential port that can be connected to other air rams in series.
- A jacking screw is provided to allow manual opening of the valve in the event of air pressure loss (note that this does not fully open the valve).



Ordering Information

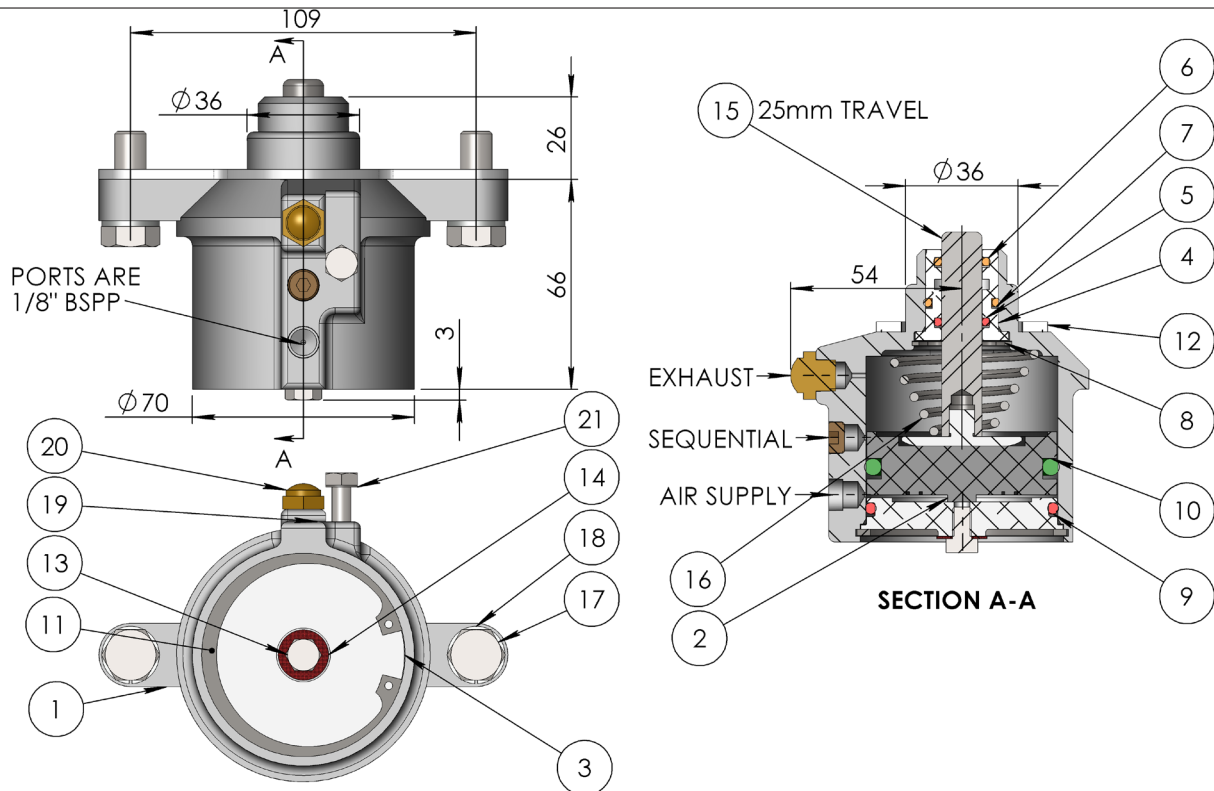
ARO100C Chemical Air Ram for SLV5 Chemical Series Footvalves / Internal Valves

Specifications

Technical Data	<ul style="list-style-type: none"> • 60mm bore • Needs a minimum of 350kPa of air pressure, to open the foot valve fully
Periodic Service	No routine maintenance required
Dismantle	Air ram operator assembly is easily removable & replaceable, being a self-contained externally mounted assembly
Associated Equipment	SLV5 foot valve
Weight	0.65 kg
Mounting	Bolted to SLV5 body using M10 screws and spring washers with a sealing gasket
Materials of Construction	<ul style="list-style-type: none"> • Aluminium body • Stainless steel plunger • FFKM seals and gasket • Acetal piston



ARO100C



ITEM	PART NUMBER	DESCRIPTION	DESCRIPTION (CONT')	QTY.	MATERIAL
1	ARO100-1	AIR RAM CYLINDER BODY		1	ALUMINIUM
2	ARO100-2	PISTON	FOR AIR RAM ASSY	1	ACETAL
3	ARO100-3	CAP END AIR RAM	FOR ARO100	1	ALUMINIUM
4	ARO102-4	BUSH	60mm ARO	1	PTFE
5	0244	O-RING	BS112	1	VITON A
6	7589	O-RING	BS112	1	KALREZ
7	7590	O-RING	BS116	1	KALREZ
8	4546	CIRCLIP INTERNAL	M30 - D1300-0300	1	Z/P STEEL
9	0137	O-RING	BS227	1	VITON A
10	218	O-RING	BS329	1	VITON A
11	5848	CIRCLIP INTERNAL	M64 - D1300-0640	1	Z/P STEEL
12	4646	GASKET FOR AIR RAMS		1	EXP-PTFE
13	6523	SETSCREW METRIC	M6 x 10 HX	1	Z/P STEEL
14	0889	WASHER FIBRE	1/4"	1	RED FIBRE
15	SLV5-5	OPERATING PLUNGER	FOR AIR OPERATED VALVES	1	ST STEEL
16	6126	SPRING COMPRESSION	TAPERED	1	ST STEEL
17	4947	SETSCREW METRIC	M10 x 30 HX	2	Z/P STEEL
18	5261	WASHER SPRING	M10 ASA MED	2	Z/P STEEL
19	3246	PLUG TAPERED	1/8" BSP ALLEN HEAD	1	BRASS
20	2280	SILENCER	1/8" BSP	1	BRASS
21	4920	SETSCREW METRIC	M6 x 20 HX	1	Z/P STEEL

METERS - VALVES - VENTS - MANHOLES - HOSEREELS - OVERFILL PROTECTION - LOADING ARMS - ELECTRONIC DIPSTICKS

LIQUIP 

PART OF OPW A DOVER COMPANY
 Email: liquip@liquip.com
 Phone: +612 9725 9000
 Fax: +612 9725 1252

LIQUIP
 P.O. Box 7049
 Wetherill Park BC, 2164
 Sydney NSW Australia

DISTRIBUTORS
 See website for Liquip branches
 and Distributors
www.liquip.com

X200715

Issue: A