

Vacuum Breaker Valve

Liquip's Vacuum breakers ensure quick draining of piping systems.

Vacuum breaker valves fit into top loading valves or the suction side of pumping systems that must drain quickly and completely.

The VB100 Series is 1/2" vacuum breaker that is fitted with Viton A seals and operates at 1-2 kPa.

The VB100U Series is 1/2" vacuum breaker that is fitted with Viton A seals and operates at 35 kPa.



VB100 shown

Ordering Information

VB100: 1/2" BSP and NPT Vacuum Breaker Brass (1-2 kPa).

VB100U: 1/2" BSP and NPT Vacuum Breaker Brass (35 kPa).

VB100SS: 1/2" BSP and NPT Vacuum Breaker S/S (1-2 kPa).

VB100USS: 1/2" BSP and NPT Vacuum Breaker S/S (35 kPa).

VB100SSVG: 1/2" BSP and NPT Vacuum Breaker Viton GFLT (1-2 kPa).

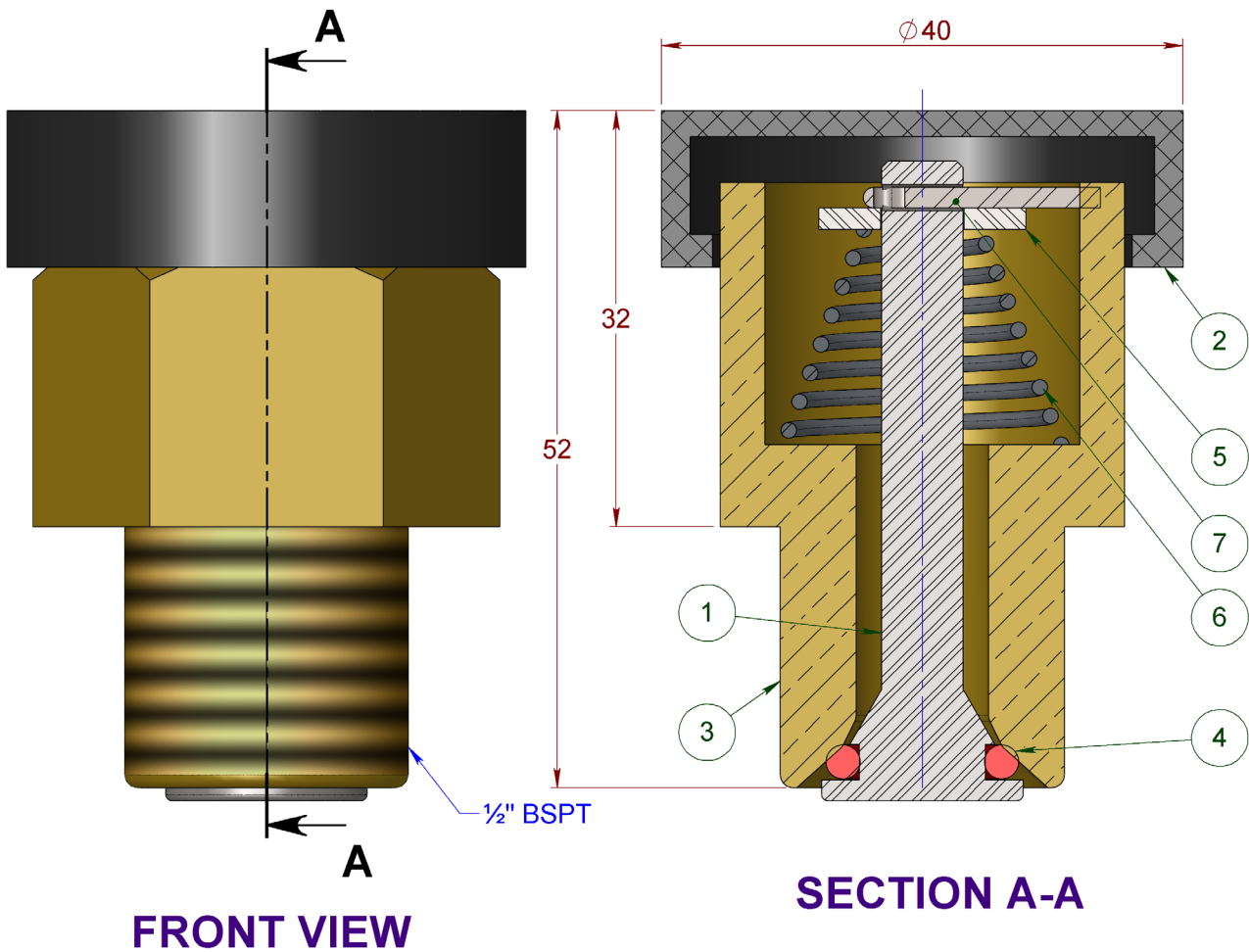
Associated Equipment

Most common usage is on Liquip top loading arms or with DM100 series discharge manifold for truck mounted applications.

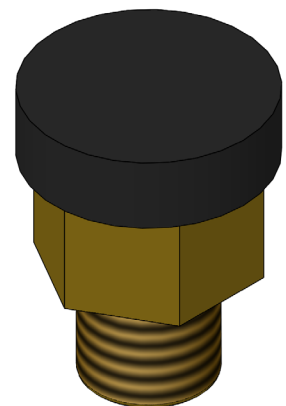
Technical Information

Pressure	VB100 & VB100SS open at 1-2 kPa vacuum (Gravity draining systems). VB100U & VB100USS open at 35 kPa vacuum (Pump systems). Orifice equal to 6mm dia hole.
Operation	Spring loaded poppet opens at a set pressure to allow air into the high section of the system and removing any vacuum that may 'hang-up' a liquid column.
Mounting	Into 1/2" BSP and NPT female socket. Ensure the poppet head is level with the inner end of the socket thread inside the pipe when fitted, in order to maximise flow area.
Dismantle	Remove from apparatus, prise off polyurethane cap and remove spring retainer. Withdraw poppet from other end.
Adjustment	None. Pre-set vacuum according to type.
Materials	-Brass body, polyurethane cap, stainless steel spring. -Poppet is acetal in VB100/VB100SS and stainless steel in VB100U/VB100USS. -Seal is Viton A standard (coloured red). -VB100SS & VB100USS have a stainless steel body.
Weight	0.14kg.

VB100 SERIES VACUUM BREAKER



ITEM	PART No.	DESCRIPTION	VB100	VB100U	VB100SS	VB100USS	MATERIAL
1	VB100-2	POPPET VALVE	1	-	1	-	ACETAL
	VB100U-2	POPPET VALVE	-	1	-	1	ST STEEL
2	VB100-1	CAP	1	1	1	1	POLYURETHANE
3	VB100-3	VACUUM BREAKER BODY	1	1	-	-	BRASS
	VB100-3SS	VACUUM BREAKER BODY	-	-	1	1	ST STEEL
4	0410	O-RING	1	1	1	1	VITON A
5	0922	WASHER FLAT	1	1	1	1	Z/P STEEL
6	4485	SPRING COMPRESSION	-	1	-	1	ST STEEL
	4412	SPRING COMPRESSION	1	-	1	-	ST STEEL
7	0756	SPLIT PIN	-	1	-	1	ST STEEL
	0093	E-CLIP IMPERIAL	1	-	1	-	ST STEEL



METERS - VALVES - VENTS - MANHOLES - HOSEREELS - OVERFILL PROTECTION - LOADING ARMS - ELECTRONIC DIPSTICKS



LIQUIP INTERNATIONAL PTY LTD
 13 HUME ROAD SMITHFIELD SYDNEY N.S.W. AUSTRALIA 2164
 Phone: +61 2 9725-9000 Fax: +61 2 9725-1252 Web: www.liquip.com

X1251896

Sheet 1 of 1
Issue: E