

# API800 Series Chemical Trim Coupler

The API812C is a chemical trim bottom loading dry-break coupler with automatic latching. It is available in a long and short handle model with FFKM seals.

FFKM (a perfluoroelastomer commonly known as Ekrax or Kalrez) is one of the most chemically resistant materials available and is suitable for some of the harshest chemical compounds. FFKM is commonly used with aggressive, corrosive and reactive chemicals.



## Key Features

- FFKM coupler design allows the coupler to connect directly to the truck chemical API adapter which improves safety by lifting hoses off the ground and reducing manual handling.
- Fast in-field replacement of all seals on or off the arm.
- Two operating handle sizes to suit various applications.
- 4 true interlocking stainless steel latches for secure coupling and maximum safety.
- Stainless steel collar and hard anodised body for increased service life and durability.
- Various stainless steel components for long term strength, durability and chemical compatibility.
- Increased site safety via minimal product leakage during disconnect.
- Improved ergonomic operating handle and carry loop during use with less physical strain on users.
- Automatic latching and new seal design minimises risk of product leakage.

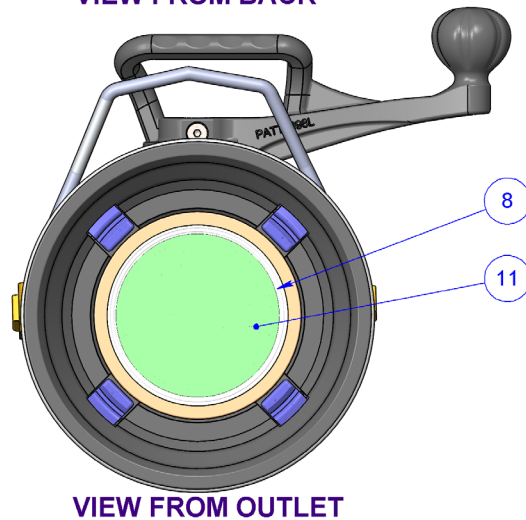
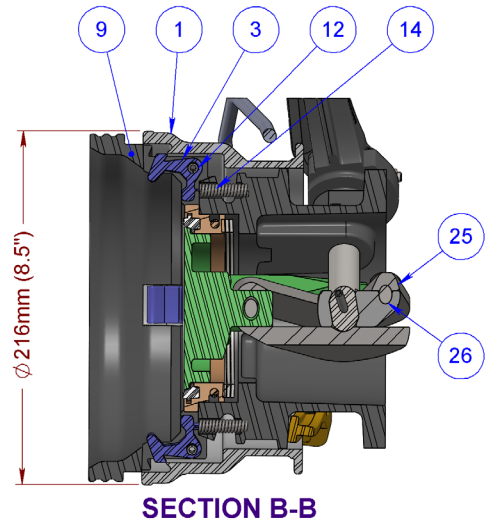
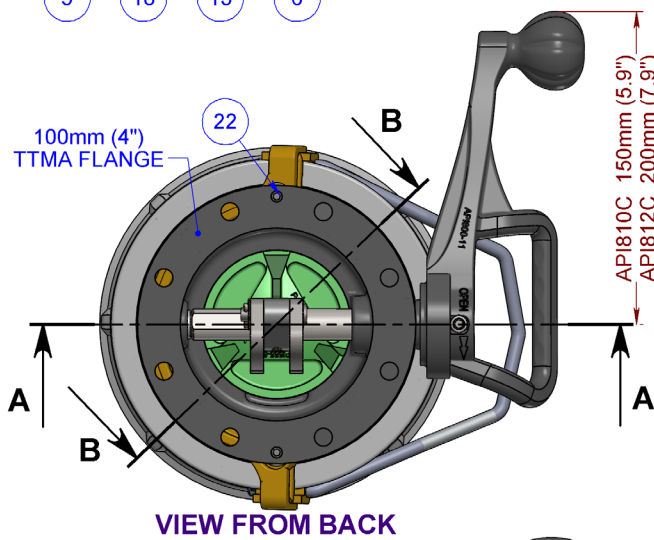
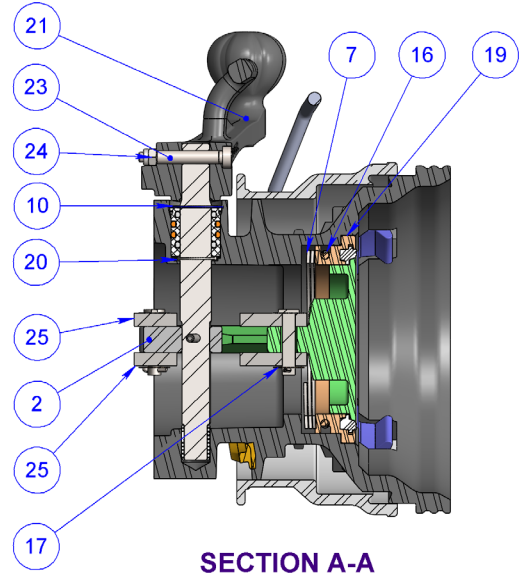
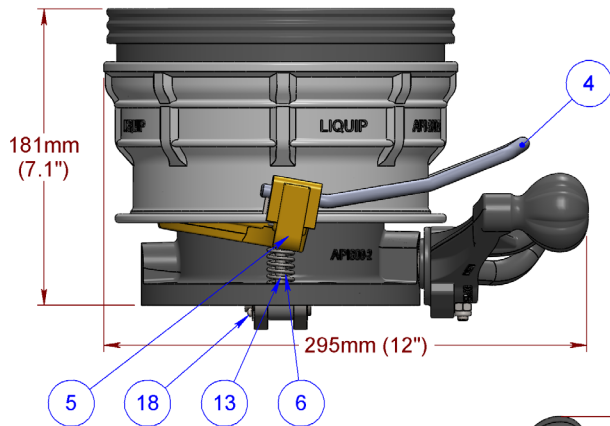
## Ordering Information

- API810C**      Short Handle, API Coupler with FFKM Seals  
**API812C**      Long Handle, API Coupler with FFKM Seals

## Specifications

<b>Materials</b>	SS Aluminium Components
<b>Handle Length</b>	Short (150mm) or Long (200mm)
<b>Seals</b>	FFKM (Perfluoroelastomer) - Contact Liquip for product compatibility
<b>Max Working Pressure</b>	550 kPa
<b>Product Test Pressure</b>	820 kPa
<b>Design Pressure</b>	2000 kPa
<b>Max Surge Pressure</b>	3000 kPa
<b>Operating Temperature</b>	-5°C to +80°C
<b>Design Standard</b>	API RP 1004 8th EDITION 2003 - Bottom Loading and Vapour Recovery
<b>Dismantling</b>	Removal of one roll pin enables the shaft assembly and main poppet to be withdrawn
<b>Mounting</b>	<ul style="list-style-type: none"> <li>• By industry standard 100mm (4") TTMA Flange</li> <li>• 8 holes Ø11mm on 149mm PCD, 168 outside diameter (Ø7/16" on 5.8" PCD, 6.6" OD)</li> <li>• Use spring washers when mounting coupler as per common industry practice</li> </ul>
<b>Adjustment or Service</b>	Refer to Maintenance Instructions document.
<b>Weight</b>	8.5kg

# API810 SERIES CHEMICAL COUPLERS



NOTE: API812C - LONG STYLE  
OPERATING HANDLE SHOWN

METERS - VALVES - VENTS - MANHOLES - HOSEREELS - OVERFILL PROTECTION - LOADING ARMS - ELECTRONIC DIPSTICKS



**LIQUIP**  
P.O. Box 7049  
Wetherill Park BC, 2164  
Sydney NSW Australia  
Email: [liquip@liquip.com](mailto:liquip@liquip.com)  
Phone: +612 9725 9000  
Fax: +612 9725 1252

**DISTRIBUTORS**  
See website for Liquip branches and Distributors  
[www.liquip.com](http://www.liquip.com)

**X200115**

Sheet 1 of 3  
Issue: DFT

# API810 SERIES CHEMICAL COUPLERS

ITEM NO.	PART NUMBER	DESCRIPTION	API810C	API812C	MATERIAL
1	API800-3	OUTER BODY (COLLAR)	1	1	ST STEEL
2	API800-8	CAM ECCENTRIC	1	1	ST STEEL
3	API725-4	LATCH COLLAR INTERLOCK	4	4	ST STEEL
4	API555-6	HANDLE - OUTER BODY RING	1	1	ST STEEL
5	API555-10	LEVER OUTER BODY	1	1	ALUMINIUM
6	API800-13	PIN - SPRING RETURN	2	2	ST STEEL
7	6182	SPRING SPIRAWAVE	1	1	SPRING STEEL
8	API800-1K	SEAL PRODUCT	1	1	FFKM
9	API800-2	BODY API800 COUPLER	1	1	ALUMINIUM
10	55074	CIRCLIP INTERNAL	1	1	ST STEEL
11	API800-9	POPPET 4"	1	1	ALUMINIUM
12	0927	SPRING (SELLOK) PIN	4	4	Z/P STEEL
13	4497	SPRING - RETURN	2	2	SPRING STEEL
14	6171	SPRING COMPRESSION	4	4	ST STEEL
15	55072	SPRING (SELLOK) PIN	1	1	ST STEEL
16	0203K	O-RING	1	1	FFKM
17	5351	WASHER FLAT THIN	4	4	ST STEEL
18	0762	SPLIT COTTER PIN	4	4	ST STEEL
19	API800-4	POPPET ADAPTOR RING	1	1	ALUMINIUM
20	API800-5AC	SHAFT AND BUSH ASSY	1	1	SS, FFKM & PTFE
21	API800-15	SHORT STYLE HANDLE OPERATING	1	-	ALUMINIUM
	API800-11	LONG STYLE HANDLE OPERATING	-	1	ALUMINIUM
22	3227	GRUBSCREW MET	2	2	BLK STEEL
23	55091	CAPSCREW SHOULDER METRIC	1	1	STEEL PHOSPHATED
24	4399	NUT NYLOC	1	1	Z/P STEEL
25	API800-20	CAMPLATE FOR API CHEMICAL COUPLERS	2	2	304
26	API800-19	PIN CLEVIS (FOR API COUPLER-CHEMICAL)	2	2	STAINLESS STEEL

METERS - VALVES - VENTS - MANHOLES - HOSEREELS - OVERFILL PROTECTION - LOADING ARMS - ELECTRONIC DIPSTICKS



## LIQUIP

P.O. Box 7049  
Wetherill Park BC, 2164  
Sydney NSW Australia  
Email: [liquip@liquip.com](mailto:liquip@liquip.com)  
Phone: +612 9725 9000  
Fax: +612 9725 1252

## DISTRIBUTORS

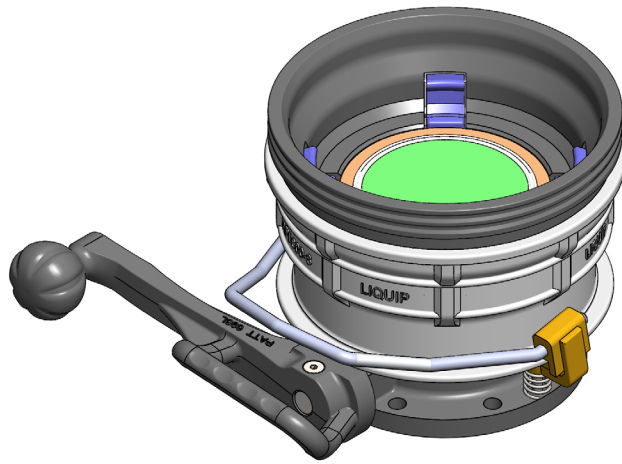
See website for Liquip branches and Distributors

[www.liquip.com](http://www.liquip.com)

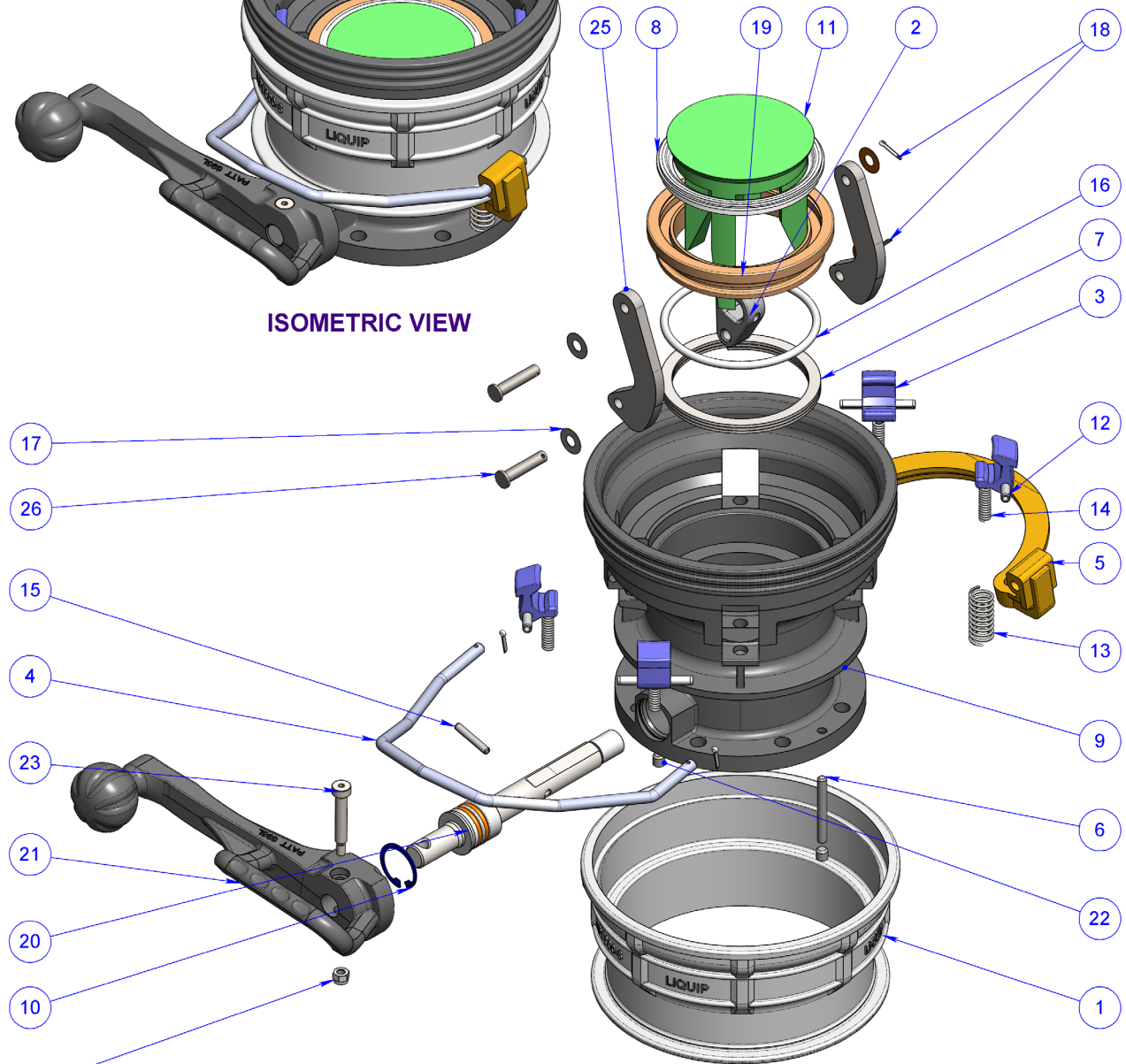
**X200115**

Sheet 2 of 3  
Issue: DFT

# API810 SERIES CHEMICAL COUPLERS



ISOMETRIC VIEW



ISOMETRIC EXPLODED VIEW

NOTE: API812C - LONG STYLE OPERATING HANDLE SHOWN

METERS - VALVES - VENTS - MANHOLES - HOSEREELS - OVERFILL PROTECTION - LOADING ARMS - ELECTRONIC DIPSTICKS



**LIQUIP**  
 P.O. Box 7049  
 Wetherill Park BC, 2164  
 Sydney NSW Australia  
 Email: [liquip@liquip.com](mailto:liquip@liquip.com)  
 Phone: +612 9725 9000  
 Fax: +612 9725 1252

**DISTRIBUTORS**  
 See website for Liquip branches and Distributors  
[www.liquip.com](http://www.liquip.com)

**X200115**

Sheet 3 of 3  
 Issue: DFT