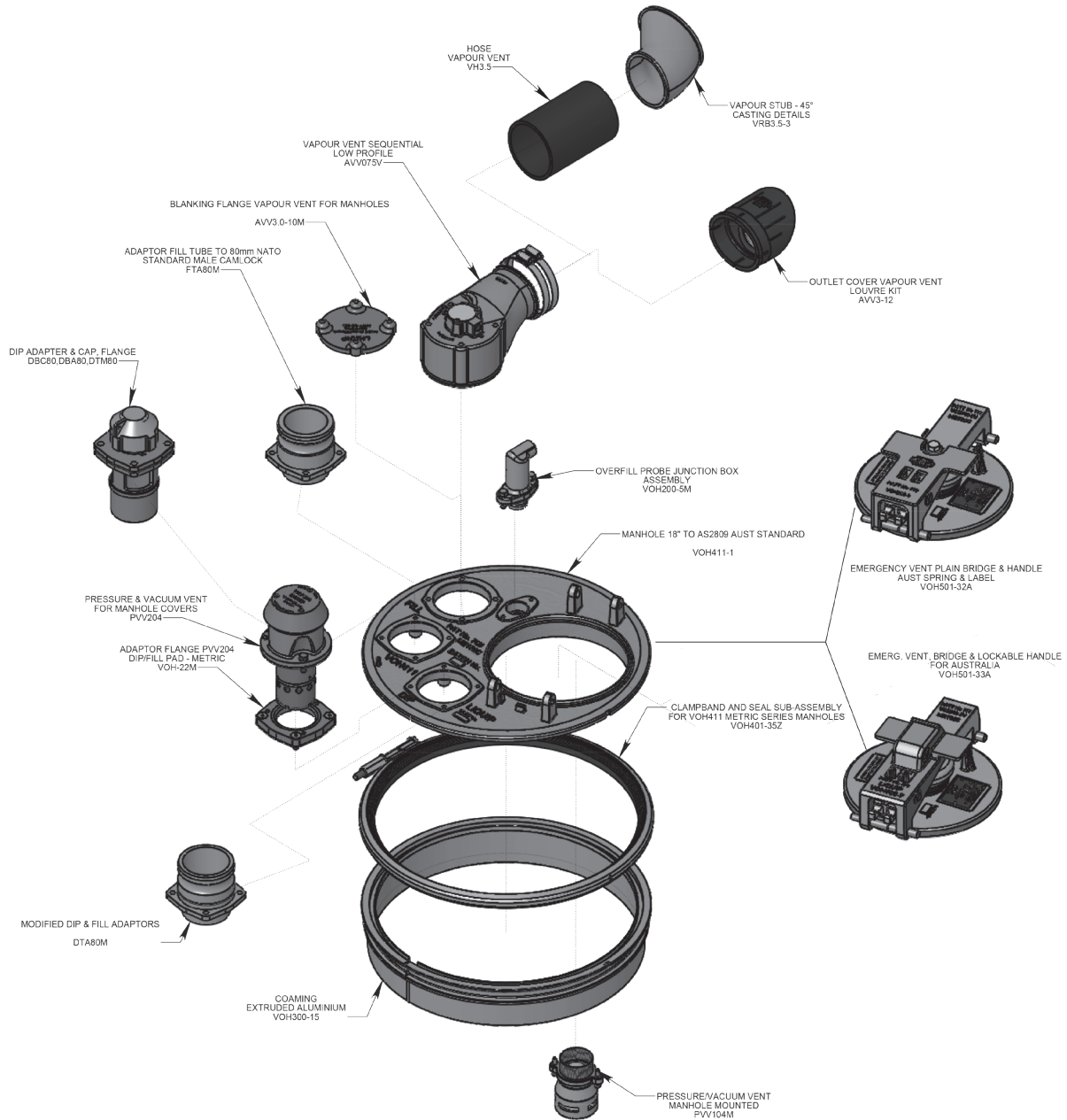
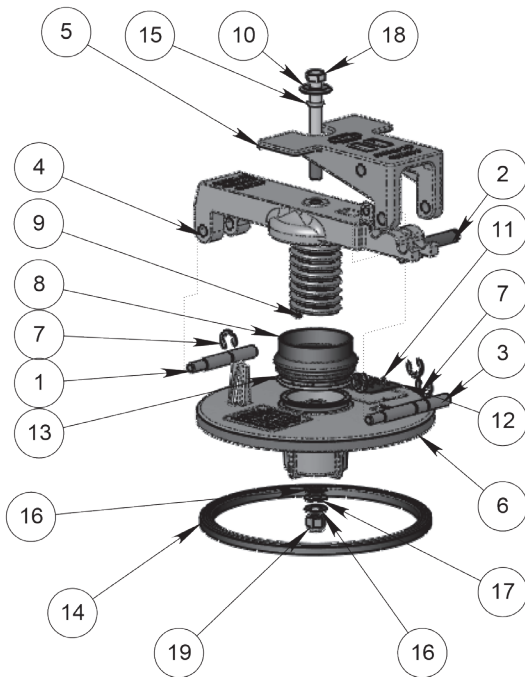


EXPLODED VIEW - VOH451



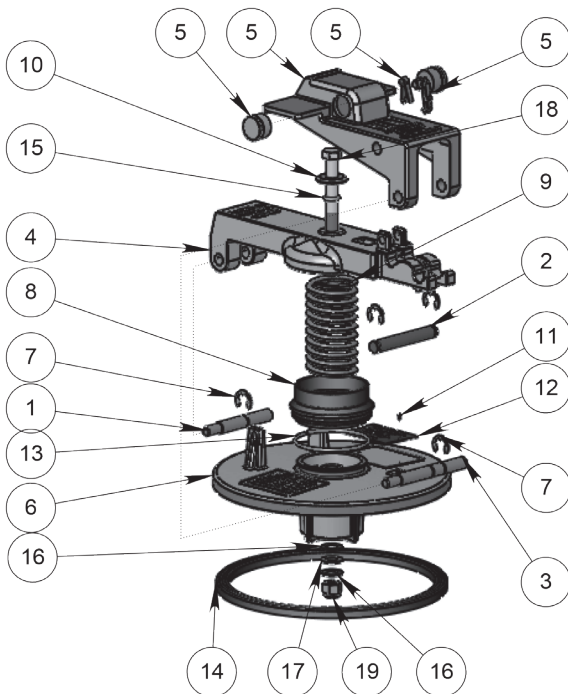
VOH501-32A EXPLODED VIEW



VOH501-32A

ITEM NO.	PART NUMBER	DESCRIPTION	QTY.	MATERIAL
1	VOH200U-9	BRIDGE PIN	1	ST STEEL
2	VOH200-10	CAM PIN FOR VOH200	1	1/2" ST STEEL
3	VOH200-21	HANDLE PIN FOR GRAVITY LATCH	1	ST STEEL
4	VOH400-2U-METRIC	BRIDGE - MANHOLE EMERGENCY VENT	1	ALUMINIUM
5	VOH200-3	HANDLE FOR VOH MANHOLES	1	ALUMINIUM
6	VOH700-4U-METRIC	EMERGENCY VENT COVER 9"	1	ALUMINIUM
7	0096	E-CLIP IMPERIAL	4	STEEL
8	7141	BELLOWS TO SUIT MANHOLES	1	EPDM
9	6108	SPRING COMPRESSION	1	SPRING STEEL
10	7143	COVER for BOLT O-RING ON MANHOLE	1	ST STEEL
11	6579	HAMMER DRIVE SCREW	2	Z/P STEEL
12	7321	LABEL f. EMERGENCY VENT	1	ALUMINIUM
13	6140	SPRING CLIP FOR BELLOWS	1	ST STEEL
14	0236	SEAL 9" HATCH LID	1	HAN
15	5386	O-RING	2	VITON A
16	5387	WASHER FLAT METRIC SMALL	2	FIBRE
17	55107	WASHER FLAT	1	ST STEEL
18	5388	BOLT METRIC	1	Z/P STEEL
19	6001	NUT NYLOC	1	Z/P STEEL

VOH501-33A EXPLODED VIEW



VOH501-33A

ITEM NO.	PART NUMBER	DESCRIPTION	QTY.	MATERIAL
1	VOH200U-9	BRIDGE PIN	1	ST STEEL
2	VOH200-10	CAM PIN FOR VOH200	1	1/2" ST STEEL
3	VOH200-21	HANDLE PIN FOR GRAVITY LATCH	1	ST STEEL
4	VOH400-2U-METRIC	BRIDGE - MANHOLE EMERGENCY VENT	1	ALUMINIUM
5	VOH400-7	HANDLE - LOCKABLE	1	ALUMINIUM
6	VOH700-4U-METRIC	EMERGENCY VENT COVER 9"	1	ALUMINIUM
7	0096	E-CLIP IMPERIAL	4	STEEL
8	7141	BELLOWS TO SUIT MANHOLES	1	EPDM
9	6108	SPRING COMPRESSION	1	SPRING STEEL
10	7143	COVER for BOLT O-RING ON MANHOLE	1	ST STEEL
11	6579	HAMMER DRIVE SCREW	2	Z/P STEEL
12	7321	LABEL f. EMERGENCY VENT	1	ALUMINIUM
13	6140	SPRING CLIP FOR BELLOWS	1	ST STEEL
14	0236	SEAL 9" HATCH LID	1	HAN
15	5386	O-RING	2	VITON A
16	5387	WASHER FLAT METRIC SMALL	2	FIBRE
17	55107	WASHER FLAT	1	ST STEEL
18	5388	BOLT METRIC	1	Z/P STEEL
19	6001	NUT NYLOC	1	Z/P STEEL

