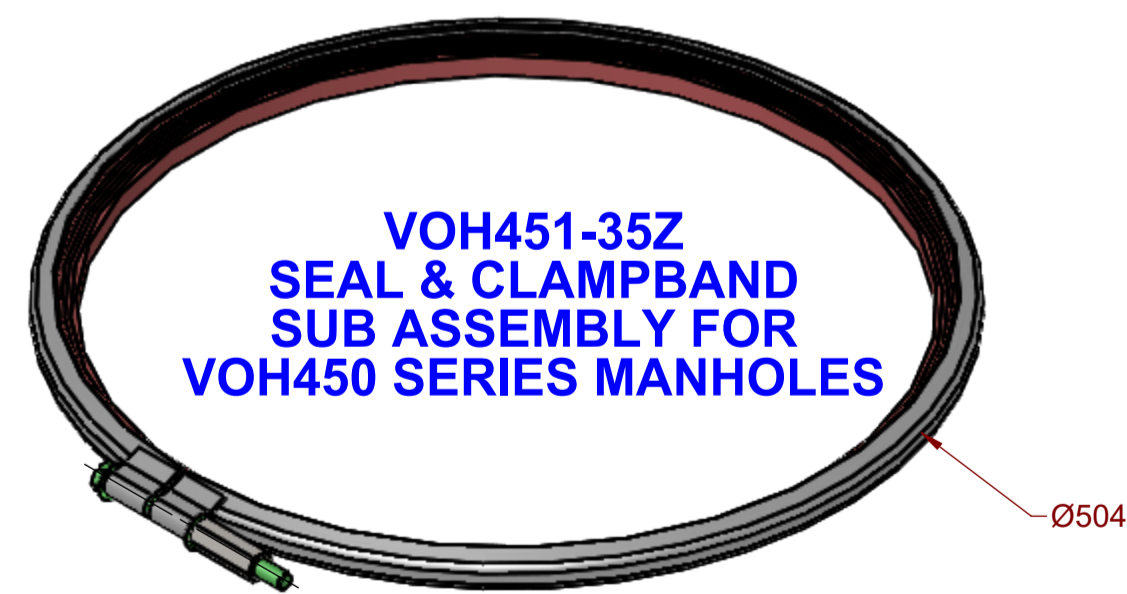
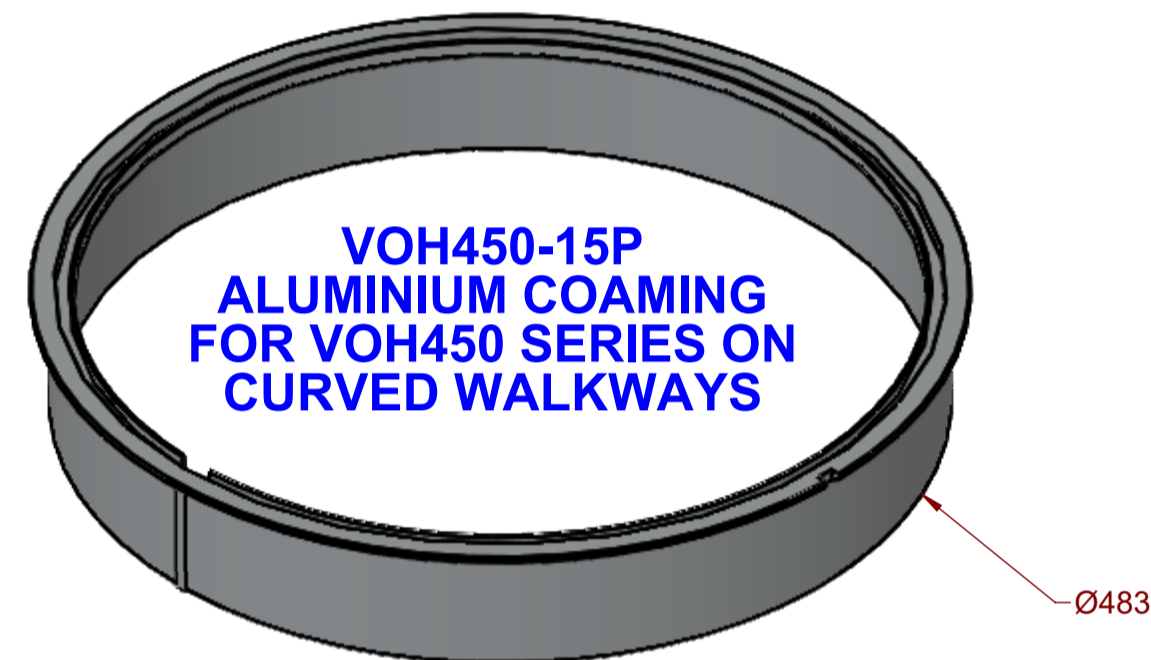


COAMINGS FOR:

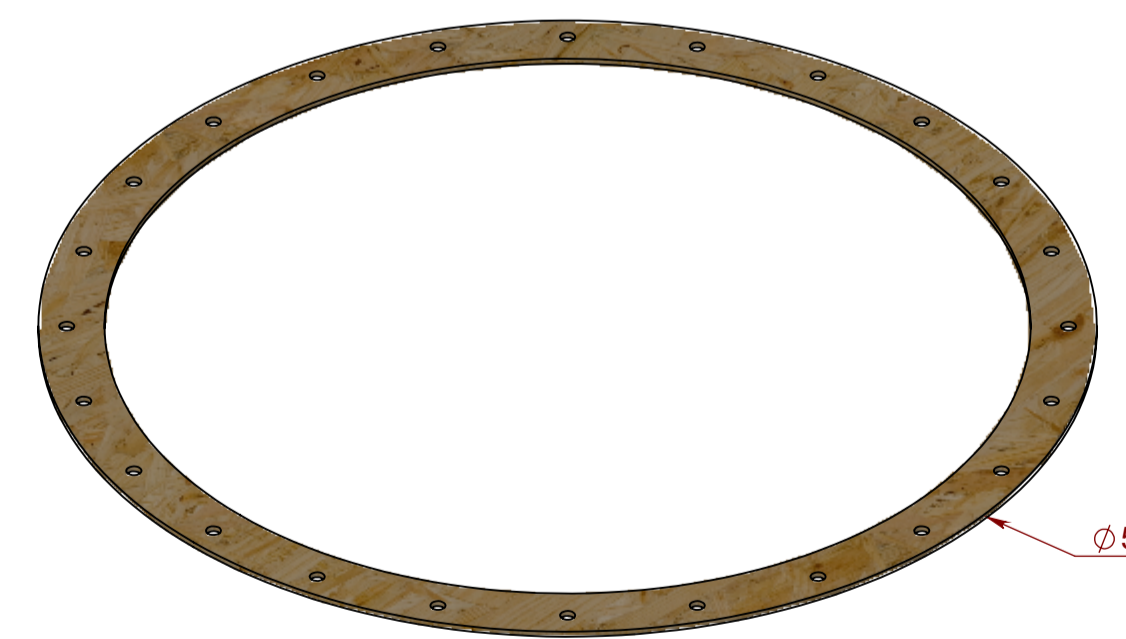
VOH400 SERIES



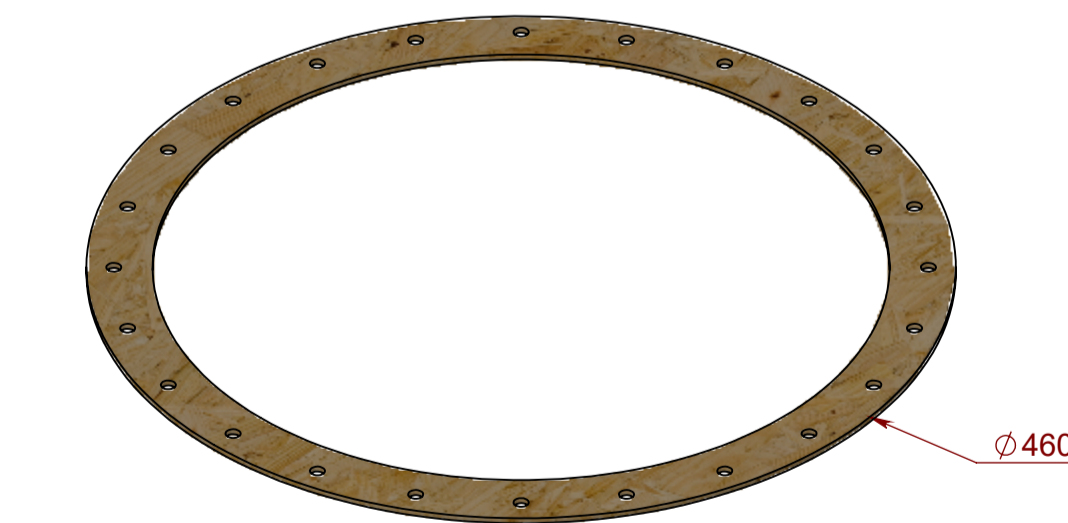
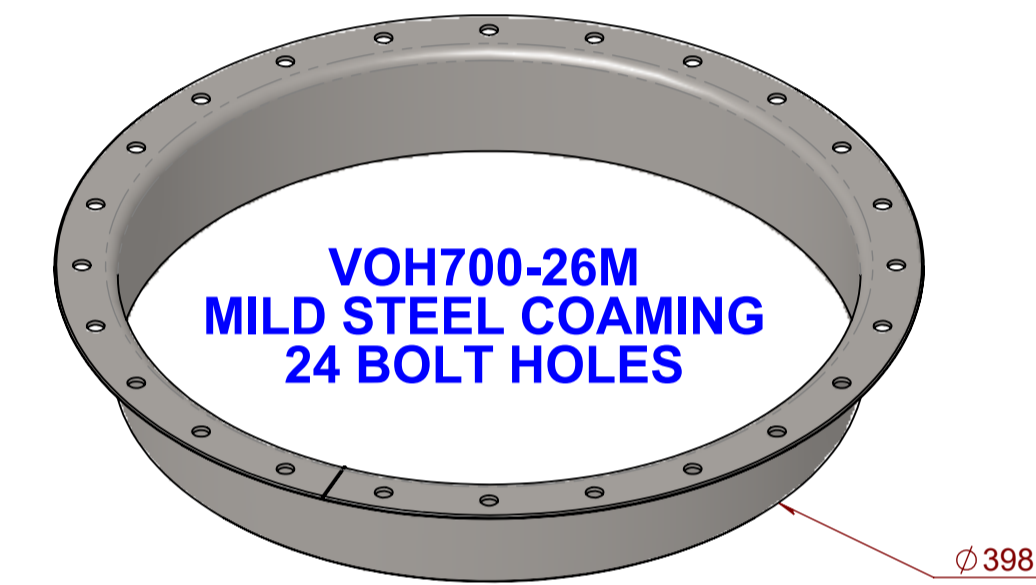
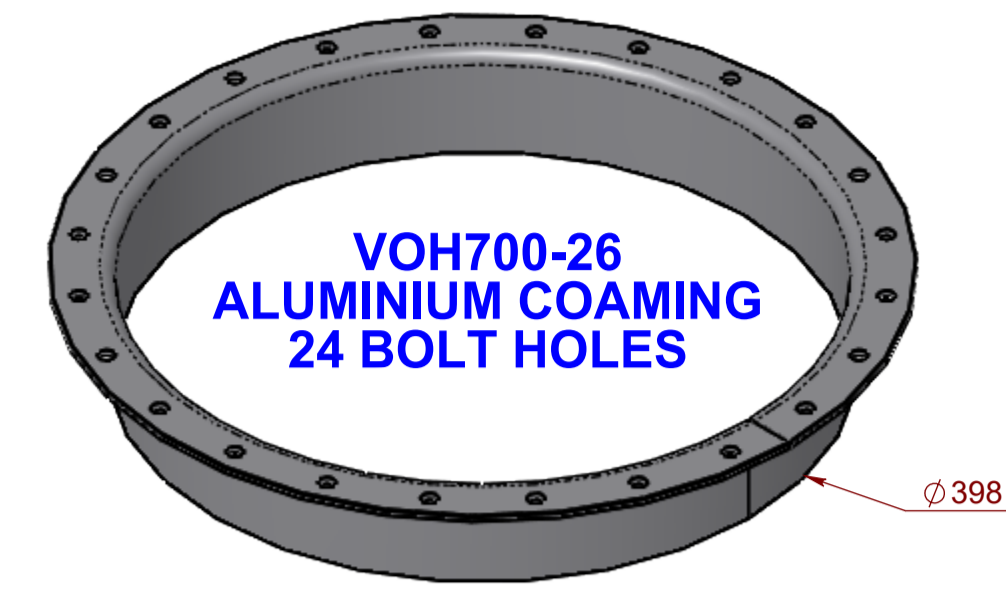
VOH450 SERIES



VOH500 SERIES



VOH700 SERIES



SEAL & CLAMPBAND KITS

MAX O.D. SHOWN FOR COAMINGS

REV.	REVISION DESCRIPTION	BY	DATE	MDC REF
F	ADDED VOH450 SERIES	DT	26/08/2020	19-027
E	REMOVED VOH200 SERIES COAMINGS AND CLAMPBAND - NO LONGER AVAILABLE	AS	7/11/2016	
D	VOH500-17M WAS VOH500-14M, VOH300-15P ADDED, DIAMETERS ADDED	AS	3/03/2008	07-236 07-238
C	CLAMPBANDS AND SEALS MOVED TO THE COAMING DRAWING BECAUSE PRODUCTION COULD NOT INSERT COMPLETE PART NO	G HAMILTON	14/12/2005	
B	COAMINGS FOR VOH530 DELETED - GASKET 6096 FOR VOH500 ADDED - VOH700-26M ADDED	CH	11/11/03	
A	ORIGINAL ISSUE	CH	20/1/03	

DRAWING TITLE: COAMINGS FOR ALL VOH STYLE MANHOLES		LIQUIP PART: VOH COAMINGS
MATERIAL: AS SHOWN		DRAWN: 20/01/03
HEAT TREATMENT:		ASSY DWG: N/A
PROTECTIVE TREATMENT:		PATT No
REMOVE ALL SHARP EDGES AND BURRS		SCALE: 1:4
TOLERANCE UNLESS OTHERWISE SPECIFIED		MASS: 2.29
LINEAR: ±0.25	THIS IS CONFIDENTIAL INFORMATION THIS DRAWING AND DESIGN IS THE PROPERTY OF LIQUIP INTERNATIONAL PTY LTD. IT MUST NOT BE COPIED OR REPRODUCED IN ANY WAY WHATSOEVER AND/OR PASSED ON TO ANY THIRD PARTY WITHOUT WRITTEN AUTHORITY.	DRAWN BY: CH
ANGLES: ±1°		DRAWING NO: V90803
SURFACE FINISH: 3.2µm		ISSUE: F
MAXIMUM DRAFT: 1.5°		Sheet 1 of 1
FILLET RADIUS: 2mm		
Drawing file: J:\EngDwgsl\VOH Series COAMINGS.slddrw Model file: J:\EngDwgsl\VOH500-14A		